

Double Wing PLANE Line Acoustic Door

**Plane Optic
Noise Control**

R_{w,P} 51 dB

in accordance with DIN EN ISO 10140-2

* Burglar Proof	RC2/RC3/RC4	in accordance with DIN EN 1627
* Shot Inhibiting	FB4	in accordance with DIN EN 1522
* Air Tight	up to classification 4	in accordance with DIN EN 1026
* Rain and fire water tight	Class. 6A	in accordance with DIN EN 1027
* Wind tight	Class. C5	in accordance with DIN EN 12211
* Pressure resistant	up to 5 kPa	
* Explosion protection	up to zone 1/21	in acc. with DIN EN 1127-1 or ATEX 94/9/EG
* Stainless steel		

Range of Dimensions: **Width from 1375 mm to 3000 mm**
Height from 1750 mm to 3000 mm

(* special options see back of page)

Technical specification and text for invitation to tender

Product:	PL 2 double wing acoustic steel door brand Buchele In accordance with DIN EN ISO 10140-2
Door Type:	PLANE Line PL 2 BASIC
Noise controll R_{w,P}	51 dB
Dimensions: x mm
Door Leaf:	Double walled, level 70 mm thick steel door leaf without hinge embossing, three sides folded with thick rebate and adjustable fixed sealing profile in the fold. Without bottom stop with duplex tow sealing system. Special insulating inserts completely laid in and glued. Safety bolt screwed in door leaf fold.
Sill:	Threshold profile barrier-free hump sill. Surface galvanized welded to the frame.
Frame:	3-sided circumferential folded corner frame with high-quality multi-chamber sealing profile adjustable fixed in the three sided groove.
Hinges:	Threepart height-adjustable construction hinges with hinge pin retention and ball-bearing spacer ring for smooth door movement.
Fitting:	Active door leaf with mortice lock with latch lever function in accordance with DIN EN 12209 (prepared for installation of a profile cylinder lock provided by customer). Door handle set in accordance with DIN EN 1906 firmly installed turnable synthetic material black in U-shape with rounded short-plate. Inactive door leaf with espagnolette bolt lock in the central rebate profile.

Type PLANE Line PL 2 PREMIUM

Frame: Three sided circumferential folded PLANE Line special corner frame for flush mounted optics on hinge side. With visible black coated intumescent

Hinges: material in fold. High-quality multi-chamber sealing profile adjustable fixed in the three sided groove.
Object hinges type VB-3D 160 adjustable in three dimentions. Reception element with internal positioned slide bearings for smooth door movement.

Type PLANE Line PL 2 SUPERIOR

Frame: Three sided circumferential folded PLANE Line special corner frame for flush mounted optics on hinge side. With visible black coated intumescent material in fold. High-quality multi-chamber sealing profile adjustable fixed in the three sided groove.

Hinges: Concealed hinge system adjustable in three dimensions.

Surface: Door leaf and frame galvanized and primed with one component primer similar RAL 7001.

Mounting: Delivery and professional assembly including filling of the cavities in the frame with mortar of group III.

Special Models

Flush Glazing: **PLANE Line** special glazing flush with outer edge of door leaf on hinge side and opposite of hinge side.
Edge enameling and permanent elastic glazing joint in color black RAL 9004.
Minimum frieze width 125 mm side and top, base 300 mm.
Sound-reduction index max. $R_{w,P}$ max. 50dB

Standard Glazing: Duplex glazing held by profiled and visibly screwed steel glazing bars.
Minimum frieze width 125 mm side and top, base 300 mm.
Sound-reduction index max. $R_{w,P}$ max. 50dB

Burglary Protection: RC 2,RC 3 or RC 4 safety package with safety fitting.

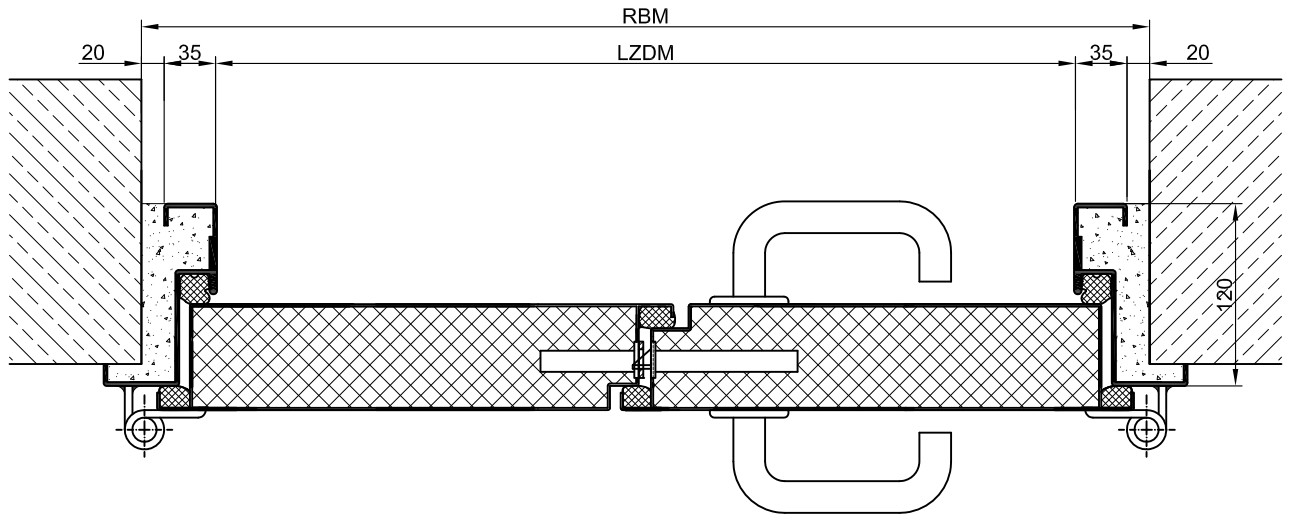
Bullet Proof: FB 4-NS special inlay in door leaf and frame.

Airtight: High-quality multi-chamber sealing profile adjustable fixed in the three sided groove of the frame in connection with a duplex tow sealing system or a stop seal.

Driving Rain Water tight: High-quality multi-chamber sealing profile adjustable fixed in the three sided groove of the frame in connection with a duplex tow sealing system or a stop seal.

Windproof High-quality multi-chamber sealing profile adjustable fixed in the three sided groove of the frame in connection with a duplex tow sealing system or a stop seal.

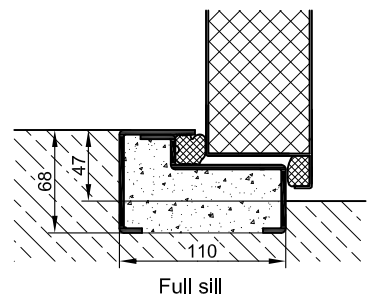
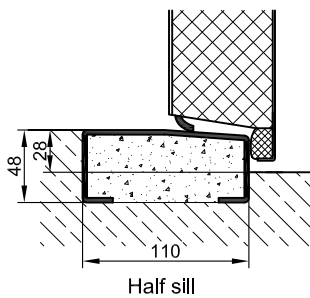
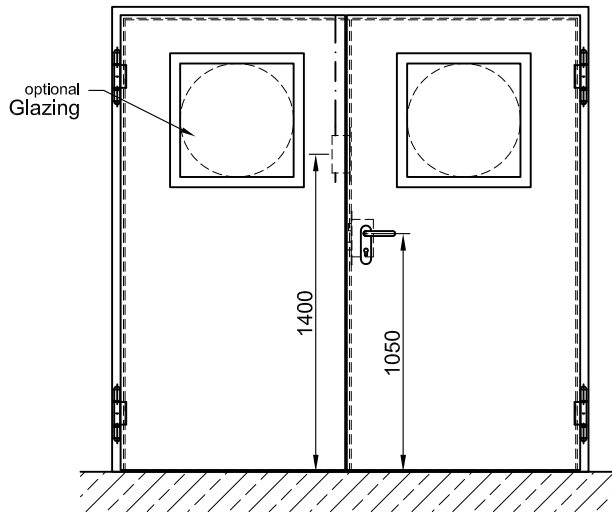
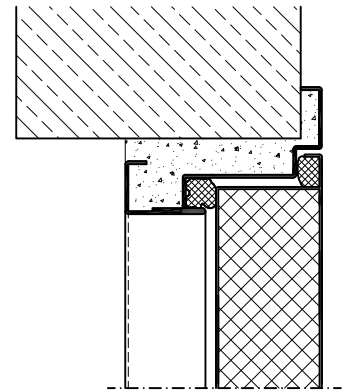
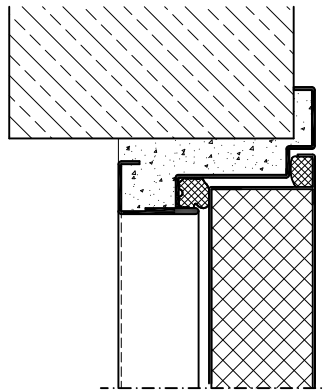
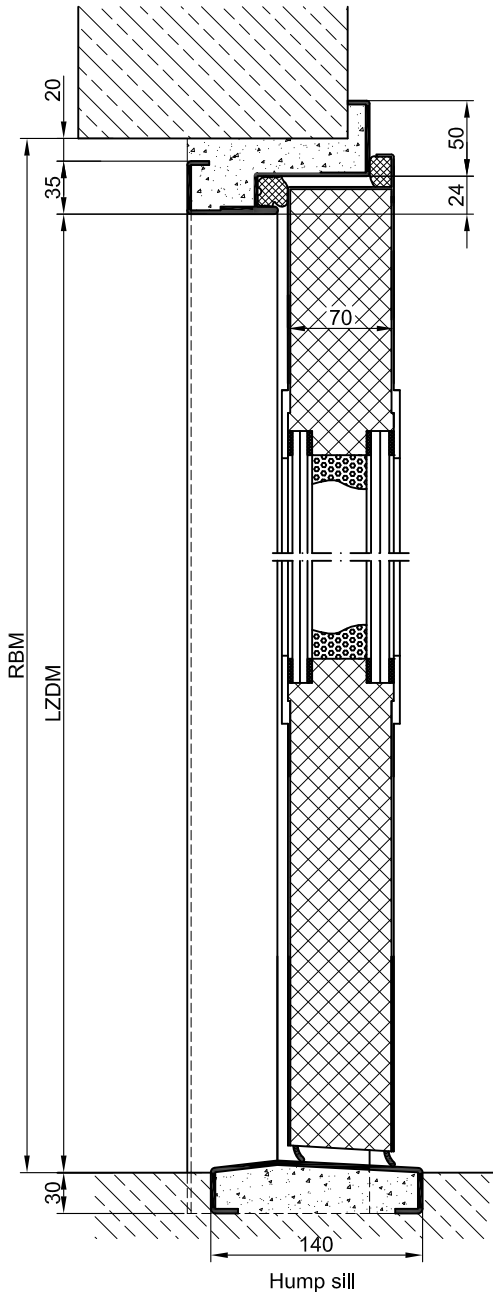
Stainless Steel: Material 1.4301 (V2A) or. 1.4571 (V4A), Surface bright mill or brushed.



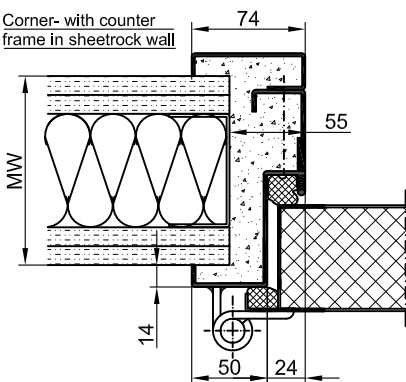
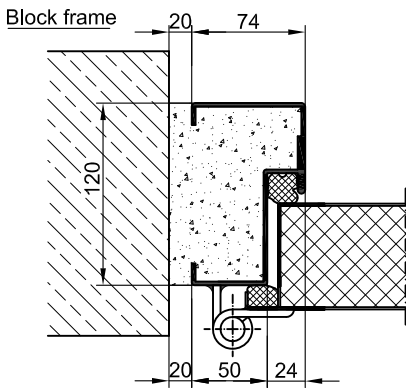
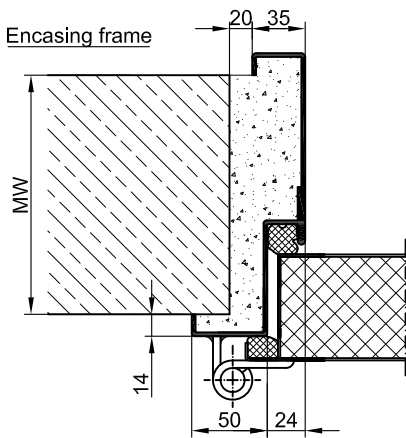
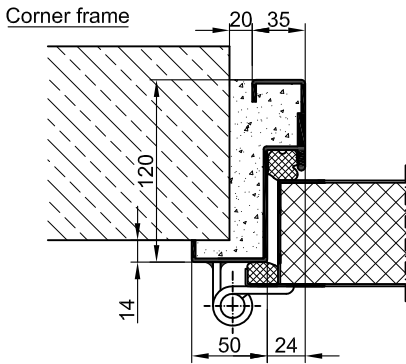
BASIC

PREMIUM

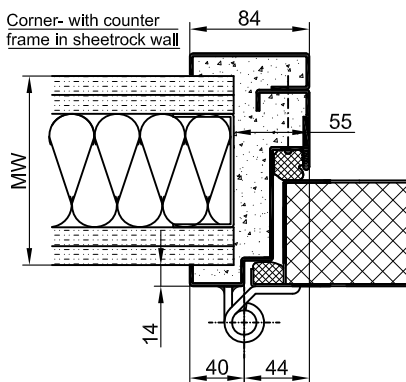
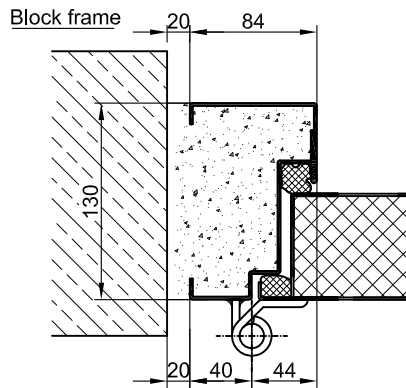
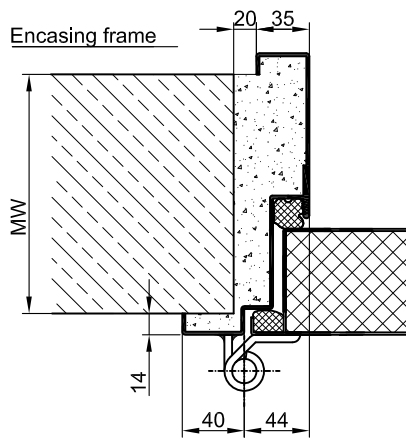
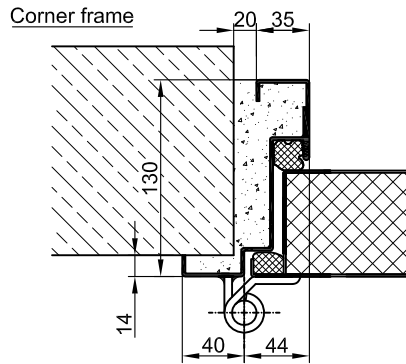
SUPERIOR



BASIC



PREMIUM



SUPERIOR

